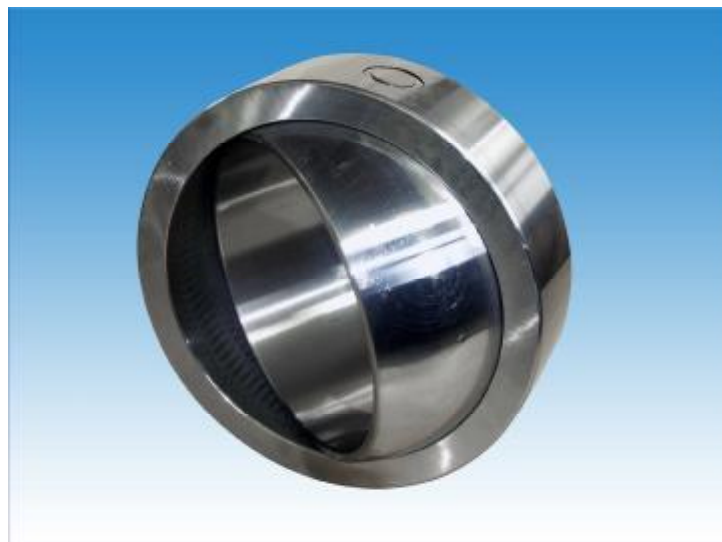


球面滑动轴承/Spherical plain bearings



球面滑动轴承



[需维护的径向球面滑动轴承](#)



[免维护的径向球面滑动轴承](#)



[免维护角接触球面滑动轴承](#)



[免维护球面滑动推力轴承](#)



Spherical plain bearings



[Radial spherical plain bearings requiring maintenance](#)



[Maintenance-free radial spherical plain bearings](#)



[Angular contact spherical plain bearings](#)



[Spherical plain thrust bearings](#)



需维护的径向球面滑动轴承

径向球面滑动轴承由一个具有凸球形外表面的内圈和一个具有相应凹球形内表面的外圈组成。这种设计特别适用于下列工况的轴承配置：必须能调节轴和轴承座之间的对心偏差，或必须能在相对较慢的滑动速度下进行往复或周期性偏摆或回转运动。

HYJG®需维护的径向球面滑动轴承采用钢对钢的滑动接触面组合。采用这种滑动接触面组合的轴承需要定期补充润滑。此类滑动表面具有很高的耐磨性，特别适合必须承受交变重负荷、冲击负荷或重静荷的轴承配置。内圈两侧带有柱体延伸段的轴承可用于取代在轴承两侧设置常规隔离套筒的轴承配置，或专用于液压缸特殊设计的轴承配置。

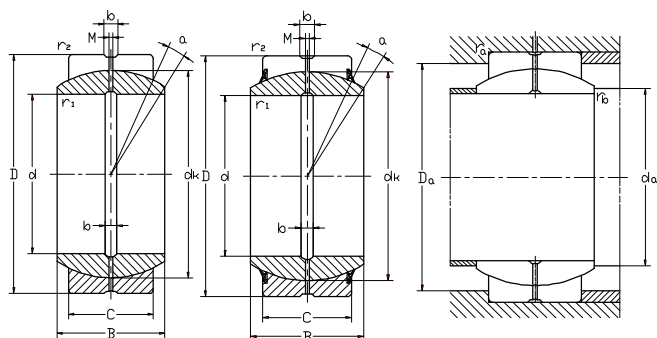
Radial spherical plain bearings requiring maintenance

Radial spherical plain bearings have an inner ring with a sphered convex outside diameter and an outer ring with a correspondingly sphered but concave inside surface. Their design makes them particularly suitable for bearing arrangements where alignment movements between shaft and housing have to be accommodated, or where oscillating or recurrent tilting or slewing movements must be possible at relatively slow sliding speeds.

HYJG®radial spherical plain bearings requiring maintenance have the sliding contact surface combination steel-on-steel. Bearings with this sliding contact surface combination require regular relubrication. The high wear resistance of the sliding surfaces makes these bearings especially suitable for bearing arrangements where heavy loads of alternating direction, shock loads or heavy static loads have to be accommodated. Bearings which have cylindrical extensions at both sides of the inner ring are intended for applications where normally spacer sleeves are arranged at either side of the bearing, or are specially designed for the bearing arrangements of hydraulic cylinders.

向心球面滑动关节轴承/Radial spherical plain bearing
 (需维护)
 滑动面: 钢/钢

(requiring maintenance)
 sliding surface :steel/steel



系列/Series

GE...E

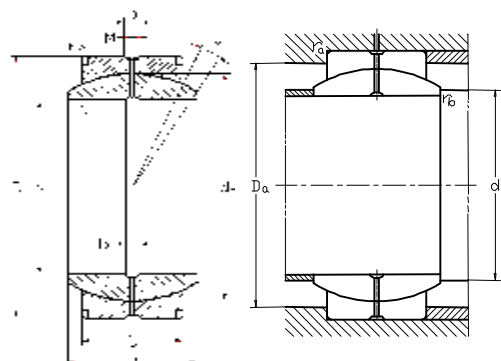
GE...ES

GE...ES-2RS

(GE...DO,GE...DO-2RS)

尺寸 (mm) Dimension (mm)				倾斜角 Tilting angle	额定载荷 (kN) Rated Load ratings(kN)		质量 Mass	型号 Designation	尺寸 (mm) Dimension						安装尺寸 (mm) Install dimension					
d	D	B	C	a°≈	Cr 动	Cor 静	Kg		d	dk	b	M	r1	r2	da	da	Da	Da	ra	rb
					Dynamic	Static							min	min	min	max	max	min	max	max
100	150	70	55	7	607	3030	4.40	GE100ES	100	130	11.3	5	1	1	108	109.5	143	123	1	1
	150	70	55	6	607	3030	4.40	GE100ES-2RS		130	11.3	5	1	1	108	109.5	143	131	1	1
110	160	70	55	6	654	3270	4.80	GE110ES	110	140	11.5	5	1	1	118	121	153	133	1	1
	160	70	55	6	654	3270	4.80	GE110ES-2RS		140	11.5	5	1	1	118	121	153	141.5	1	1
120	180	85	70	6	950	4750	8.25	GE120ES	120	160	13.5	6	1	1	129.5	135.5	172	152	1	1
	180	85	70	6	950	4750	8.25	GE120ES-2RS		160	13.5	6	1	1	129.5	135.5	172	157.5	1	1
140	210	90	70	7	1070	5350	11.00	GE140ES	140	180	13.5	6	1	1	149	155.5	202.5	171	1	1
	210	90	70	7	1070	5350	11.00	GE140ES-2RS		180	13.5	6	1	1	149	155.5	202.5	180	1	1
160	230	105	80	8	1360	6800	14.00	GE160ES	160	200	13.5	6	1	1	169.5	170	222	190	1	1
	230	105	80	8	1360	6800	14.00	GE160ES-2RS		200	13.5	6	1	1	169.5	170	222	197	1	1
180	260	105	80	6	1530	7650	18.50	GE180ES	180	225	13.5	6	1.1	1.1	191	199	250.5	214	1	1
	260	105	80	6	1530	7650	18.50	GE180ES-2RS		225	13.5	6	1.1	1.1	191	199	250.5	224.5	1	1
200	290	130	100	7	2120	10600	28.00	GE200ES	200	250	15.5	7	1.1	1.1	212.5	213.5	279.5	238	1	1
	290	130	100	7	2120	10600	28.00	GE200ES-2RS		250	15.5	7	1.1	1.1	212.5	213.5	279.5	244.5	1	1
220	320	135	100	8	2320	11600	35.50	GE220ES-2RS	220	275	15.5	7	1.1	1.1	232.5	239.5	309.5	271	1	1
240	340	140	100	8	2550	12700	40.00	GE240ES-2RS	240	300	15.5	7	1.1	1.1	252.5	265	329.5	298	1	1
260	370	150	110	7	3050	15190	51.50	GE260ES-2RS	260	325	15.5	7	1.1	1.1	273	288	359	322	1	1
280	400	155	120	6	3570	17850	65.00	GE280ES-2RS	280	350	15.5	7	1.1	1.1	294	313.5	388.5	345	1	1
300	430	165	120	7	3800	19100	78.50	GE300ES-2RS	300	375	15.5	7	1.1	1.1	314	336.5	418.5	371	1	1

向心球面滑动关节轴承/Radial spherical plain bearing
 (需维护) (requiring maintenance)
 滑动面: 钢/钢 sliding surface :steel/steel

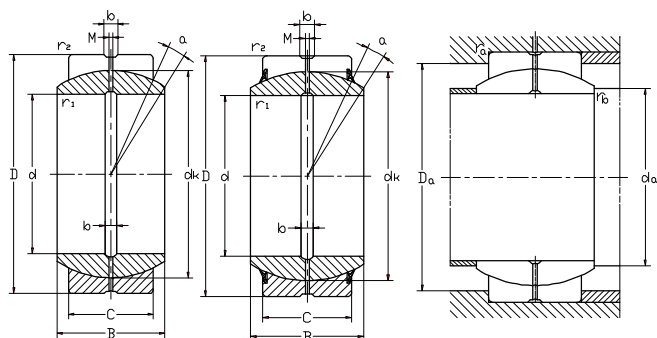


系列/Series
 GEC...XS
 (GE...DO)

尺寸 (mm) Dimension (mm)				倾斜角 Tilting angle a° ≈	额定载荷 (kN) Rated Load ratings(kN)		质量 Mass Kg	型号 Designation	尺寸 (mm) Dimension				安装尺寸 (mm) Install dimension		径向游隙值 (CN) 我们也可以提供 C2、C3 游隙 Radial internal clearance (CN) Also available in groups C2,C3
d	D	B	C		Cr 动 Dynamic	Cor 静 Static			d	dk	r1 min	r2 min	da max	Da min	
320	440	160	135	4	4400	22000	77	GEC320XS	320	380	1.1	3	344.6	361	0.125-0.239
340	460	160	135	3.8	4650	23200	82	GEC340XS	340	400	1.1	3	366.6	382	0.125-0.239
360	480	160	135	3.6	4800	24000	84.2	CEC360XS	360	420	1.1	3	388.3	403	0.135-0.261
380	520	190	160	4.1	6300	31500	129	GEC380XS	380	450	1.5	4	407.9	426	0.135-0.261
400	540	190	160	3.9	6550	32500	133	GEC400XS	400	470	1.5	4	429.8	447	0.135-0.261
420	560	190	160	3.7	6800	34500	138	CEC420XS	420	490	1.5	4	451.6	469	0.135-0.261
440	600	218	185	3.9	8650	42300	193	CEC440XS	440	520	1.5	4	472	491	0.145-0.285
460	620	218	185	3.7	9000	45000	200	GEC460XS	460	540	1.5	4	494	513	0.145-0.285
480	650	230	195	3.8	9800	49000	237	GEC480XS	480	565	2	5	516	536	0.145-0.285
500	670	230	195	3.6	10200	51000	244	CEC500XS	500	585	2	5	537.8	557	0.145-0.285
530	710	243	205	3.7	11400	57000	289	CEC530XS	530	620	2	5	570.3	591	0.145-0.285
560	750	258	215	4	12700	64000	325	GEC560XS	560	655	2	5	602	624	0.16-0.32
600	800	272	230	3.6	14600	73500	407	GEC600XS	600	700	2	5	644.9	667	0.16-0.32
630	850	300	260	3.3	17600	88000	525	CEC630XS	630	740	3	6	676.4	698	0.16-0.32
670	900	308	260	3.7	19000	95000	594	CEC670XS	670	785	3	6	722	746	0.16-0.32
710	950	325	275	3.7	21200	106000	693	GEC710XS	710	830	3	6	763.7	789	0.17-0.35
750	1000	335	280	3.8	22800	114000	779	GEC750XS	750	875	3	6	808.3	834	0.17-0.35
800	1060	355	300	3.6	26000	129000	920	CEC800XS	800	930	3	6	859.5	886	0.17-0.35
850	1120	365	310	3.4	28500	143000	1047	CEC850XS	850	985	3	6	914.8	940	0.17-0.35
900	1180	375	320	3.2	31000	156000	1184	GEC900XS	900	1040	3	6	970	995	0.195-0.405
950	1250	400	340	3.3	35500	176000	1420	GEC950XS	950	1100	4	7.5	1024.6	1052	0.195-0.405
1000	1320	438	370	3.5	40500	204000	1742	CEC1000XS	1000	1160	4	7.5	1074.1	1105	0.195-0.405

向心球面滑动关节轴承/Radial spherical plain bearing
 (需维护)
 滑动面: 钢/钢
 (英制)

(requiring maintenance)
 sliding surface :steel/steel
 (inch sizes)



系列/Series

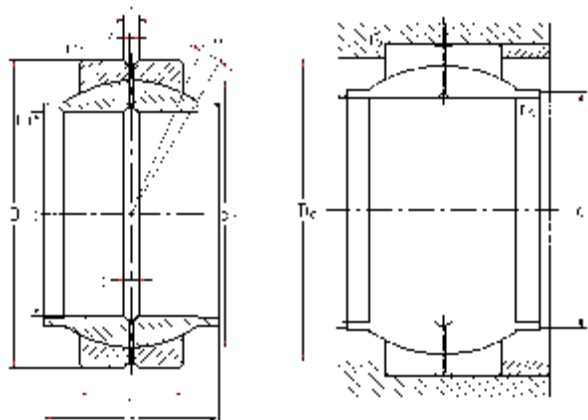
GEZ...E

GEZ...ES

(GEZ...ES-2RS、GE...ZO-2RS)

尺寸 (mm) Dimension (mm)				倾斜角 Tilting angle $a^\circ \approx$	额定载荷 (kN) Rated Load ratings(kN)		质量 Mass Kg	型号 Designation	尺寸 (mm) Dimension				安装尺寸 (mm) Install dimension		径向游隙值 (CN) 我们也可以提供 C2、C3 游隙 Radial internal clearance (CN) Also available in groups C2,C3
d	D	B	C		Cr 动 Dynamic	Cor 静 Static			d	dk	r1	r2	da	Da	
101.6	158.75	88.9	76.2	6	900	2650	7	GEZ101ES	101.6	146	1	1	115.5	139	0.130-0.230
4"	3"	3.5"	3"					GEZ101ES-2RS	4"	5.748"	0.04"	0.04"			
107.95	168.275	94.463	80.950	6	1000	3000	8.41	GEZ107ES	107.95	155	1	1	121.8	145	0.130-0.230
4.25"	3.187"	3.719"	3.187"					GEZ107ES-2RS	4.25"	6.102"	0.04"	0.04"			
114.3	177.8	100.013	85.725	6	1120	3400	9.8	GEZ114ES	114.3	164.5	1	1	130.5	156.5	0.130-0.230
4.5"	3.375"	3.937"	3.375"					GEZ114ES-2RS	4.5"	6.476"	0.04"	0.04"			
120.65	187.325	105.562	90.475	6	1250	3750	11.5	GEZ120ES	120.65	173.5	1	1	137.5	165	0.130-0.230
4.75"	3.562"	4.156"	3.562"					GEZ120ES-2RS	4.75"	6.83"	0.04"	0.04"			
127.00	196.85	111.125	95.25	6	1400	4150	13.5	GEZ127ES	127	183	1	1	144.5	173.5	0.130-0.230
5"	3.75"	4.375"	3.75"					GEZ127ES-2RS	5"	7.204"	0.04"	0.04"			
152.4	222.25	120.65	104.775	5	1730	5200	17.5	GEZ152ES	152.4	207.0	1	1	168	197	0.130-0.230
6"	4.125"	4.75"	4.125"					GEZ152ES-2RS	6"	8.15"	0.04"	0.04"			

向心球面滑动关节轴承/Radial spherical plain bearing
 (需维护) (requiring maintenance)
 滑动面: 钢/钢 sliding surface :steel/steel



系列/Series
 GEEW...ES
 (GE...LO,GEG...ES)

尺寸 (mm) Dimension (mm)				倾斜角 Tilting angle a°≈	额定载荷 (kN) Rated Load ratings(kN)		质量 Mass Kg	型号 Designation	尺寸 (mm) Dimension				安装尺寸 (mm) Install dimension		径向游隙值 (CN) 我们也可以提供 C2、C3 游隙 Radial internal clearance (CN) Also available in groups C2,C3
d	D	B	C		Cr 动 Dynamic	Cor 静 Static			d	dk	r1 min	r2 min	da max	Da min	
100	150	100	55	4	607	3030	4.79	GEEW100ES	100	130	1	1	113	123	0.085-0.165
110	160	110	55	4	654	3270	5.78	GEEW110ES	110	140	1	1	124	134	0.085-0.165
125	180	125	70	4	950	4750	8.49	GEEW125ES	125	160	1	1	138	150	0.085-0.165
160	230	160	80	4	1360	6800	16.5	GEEW160ES	160	200	1	1	177	191	0.100-0.192
200	290	200	100	4	2120	10600	32.1	GEEW200ES	200	250	1.1	1.1	221	239	0.100-0.192
250	400	250	120	4	3750	17800	99.1	GEEW250ES	250	350	1.1	1.1	317	342	0.110-0.214
320	520	320	160	4	6200	30500	225	GEEW320ES	320	450	1.1	1.1	405	438	0.110-0.214