



角接触球面滑动轴承

角接触球面滑动轴承在内外圈上有球形滑动接触面，这些接触面与轴承的轴心线形成一个角度。因此，特别适合承受组合（径向和轴向）负荷。单个角接触球面滑动轴承只能承受以一个方向作用的轴向负荷。在径向负荷下，轴承中产生轴向作用力，该力必须始终为相等的反向作用力所平衡。因此，该轴承通常要采用第二个轴承加以调整。如两个角接触球面滑动轴承以球中心重合的方式配置，则可组成能承受双向的径向重负荷及轴向重负荷的球面滑动轴承。

Angular contact spherical plain bearings

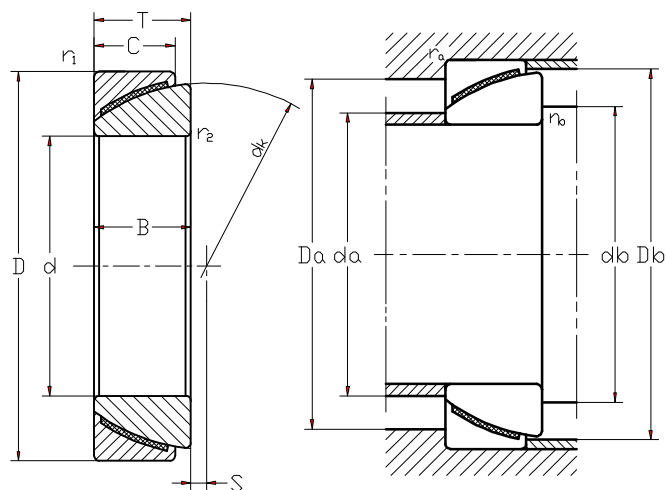
Angular contact spherical plain bearings have sphered sliding surfaces on the inner and in the outer ring which are arranged at an angle to the bearing axis. They are therefore particularly suitable for carrying combined (radial and axial) loads. A single angular contact spherical plain bearing can only accept axial loads acting in one direction. Under radial loads, a force acting in the axial direction is produced in the bearing which must always be opposed by an equal force acting in the opposite direction. Therefore, the bearings are usually adjusted against a second bearing. If two angular contact spherical plain bearings are arranged so that their sphere centres coincide, a spherical plain bearing is obtained which can accommodate heavy radial loads as well as heavy axial loads in both directions.

自润滑角接触关节轴承

/Angular contact spherical plain bearing

接触面 钢/PTFE 复合自润滑材料

/Steel/PTFE-composite material



系列: GAC...T
(GE...SW,GAC...F)

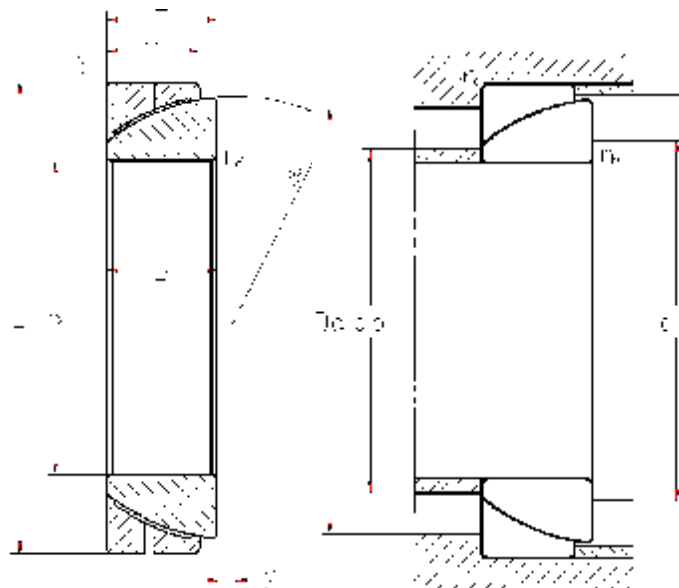
Principal Dimensions 基本外形尺寸						Rated Loads		Angle	Mass	Designations	Dimension				Install dimension					
d	D	T	B	C	S	Cr Dynamic	Cor Static	a			d	dk	r1	r2	da max	Da min	db max	Db min	ra max	rb max
mm						KN			kg		mm	min	min	mm						
80	125	29	29	26	8.6	450	900	2.5	1.55	GAC80F	80	115	1.1	1.1	87	95	104	115.7	1.1	1.1
85	130	29	29	27	9.4	495	990	2.5	1.61	GAC85F	85	122	1.1	1.1	94.5	102	113	122.5	1.1	1.1
90	140	32	32	28	10.1	550	1100	2.5	2.09	GAC90F	90	128.5	1.5	1.5	97	105	118	128.9	1.5	1.5
95	145	32	32	30	10.8	610	1220	2.5	2.22	GAC95F	95	135	1.5	1.5	104	112	123	135.3	1.5	1.5
100	150	32	32	31	11.6	670	1340	2	2.35	GAC100F	100	141	1.5	1.5	110.5	119	128	141.1	1.5	1.5
105	160	35	35	33	12.3	740	1480	2	2.93	GAC105F	105	148	2	2	113.5	122	136	147.9	2	2
110	170	38	38	34	13	810	1620	2	3.68	GAC110F	110	155	2	2	116.5	125	145	154.8	2	2
120	180	38	38	37	14.5	955	1910	2	3.97	GAC120F	120	168	2	2	131	140	155	167.5	2	2
130	200	45	45	43	18	1240	2480	1	5.92	GAC130F	130	188	2.5	2.5	139	147	173	186.5	2.5	2.5
140	210	45	45	43	19	1310	2620	1	6.33	GAC140F	140	198	2.5	2.5	151	159	183	196.3	2.5	2.5
150	225	48	48	46	20	1490	2980	1	8.01	GAC150F	150	211	3	3	161	169	195	209.2	3	3
160	240	51	51	49	20	1690	3380	1	9.42	GAC160F	160	225	3	3	174.5	182	208	223.4	3	3
170	260	57	57	55	21	2080	4160	1	12.3	GAC170F	170	246	3	3	190	198	227	244.4	3	3
180	280	64	64	61	21	2440	4880	1	17.4	GAC180F	180	260	3	3	196.5	204	241	258.6	3	3
190	290	64	64	62	26	2620	5240	1.5	18.2	GAC190F	190	275	3	3	208	216	253	272	3	3
200	310	70	70	66	26	2940	5880	1	22.5	GAC200F	200	290	3	3	217	225	267	287.3	3	3

自润滑角接触关节轴承

/Angular contact spherical plain bearing

接触面 钢/钢

/Steel/Steel



系列: GAC...S
(GE...SX)

Principal Dimensions 基本外形尺寸						Rated Loads		Angle	Mass	Designations	Dimension				Install dimension					
d	D	T	B	C	S	Cr Dynamic	Cor Static	a			d	dk	r1	r2	db max	Db min	da max	Da min	ra max	rb max
mm						KN			kg	mm		min	min	mm						
80	125	29	29	25.5	8.6	258	1290	3.5	1.54	GAC80S	80	115	1.1	1.1	104	117	86	99	1.1	1.1
85	130	29	29	26.5	9.4	284	1422	2	1.61	GAC85S	85	122	1.1	1.1	110	122	93.5	107.5	1.1	1.1
90	140	32	32	28	10.1	316	1580	3.5	2.09	GAC90S	90	128.5	1.5	1.5	118	132	96.5	112	1.5	1.5
95	145	32	32	29.5	10.8	350	1750	2	2.22	GAC95S	95	135	1.5	1.5	124	138	118	350	1.5	1.5
100	150	32	32	31	11.6	384	1923	0.5	2.34	GAC100S	100	141	1.5	1.5	128	142	109.5	123	1.5	1.5
105	160	35	35	32.5	12.3	423	2116	2	2.93	GAC105S	105	148	2	2	137	144	112.5	128	2	2
110	170	38	38	34	13	463	2318	3	3.68	GAC110S	110	155	2	2	146	162	115.5	135	2	2
120	180	38	38	37	14.5	547	2735	0.5	3.97	GAC120S	120	168	2	2	155	172	129.5	145	2	2
130	200	45	45	43	18	710	3550	1	5.92	GAC130S	130	188	2.5	2.5	174	192	138	158	2.5	2.5
140	210	45	45	43	19	740	3740	1	6.33	GAC140S	140	198	2.5	2.5	187	202	149.5	171	2.5	2.5
150	225	48	48	46	20	850	4270	1	8.01	GAC150S	150	211	3	3	194	216	160	184	3	3
160	240	51	51	49	20	970	4850	1	9.42	GAC160S	160	225	3	3	206	228	173	195	3	3
170	260	57	57	55	21	1190	5950	1	12.3	GAC170S	170	246	3	3	228	253	188.5	208	3	3
180	280	64	64	61	21	1395	6970	1	17.4	GAC180S	180	260	3	3	240	163	195	220	3	3
190	290	64	64	62	26	1500	7500	0.5	18.2	GAC190S	190	275	3	3	252	278	206	226	3	3
200	310	70	70	66	26	1680	8420	1.5	22.5	GAC200S	200	290	3	3	268	293	215.5	244	3	3