



单列满滚子圆柱滚子轴承

满滚子圆柱滚子轴承包含有最大数量的滚子，因此适用于很重的径向载荷。但是，这些轴承不能以同带保持架型圆柱滚子轴承同样的高速运行。SKF 单列满滚子圆柱滚子轴承的标准供货范围包括 NCF 和 NJG 设计。

NCF 设计

NCF-设计的轴承内圈上有两个整体式法兰，外圈上有一个整体式法兰，因此可支撑作用于一个方向上的轴向载荷并在一个方向上提供轴的轴向定位。外圈不带法兰一侧的止动环将轴承组件固定在一起。轴向内部游隙在产品表中提供，是用来允许轴承要承受的轴相对于轴承座的微小轴向位移的，例如由于轴的热膨胀引起的轴向位移。

NJG 设计

NJG-设计的轴承由重型尺寸 23 系列组成，用于载荷很重的低速应用。这些轴承在外圈上有两个整体式法兰，内圈上有一个整体式法兰，因此可支撑作用于一个方向上的轴向载荷并在一个方向上提供轴的轴向定位。同其它满滚子轴承设计比较，NJG-设计的轴承有自定位滚子组。因此，带两个整体式法兰的外圈和滚子组可从内圈中取出，而不必采取任何措施防止滚子脱落。这简化了安装和拆卸。

Single row full complement cylindrical roller bearings

Full complement cylindrical roller bearings incorporate a maximum number of rollers and are therefore suitable for very heavy radial loads. However, they cannot operate at the same high speeds as caged design cylindrical roller bearings. The standard HYJG® range of single row full complement cylindrical roller bearings consist of the NCF and NJG designs.

NCF design

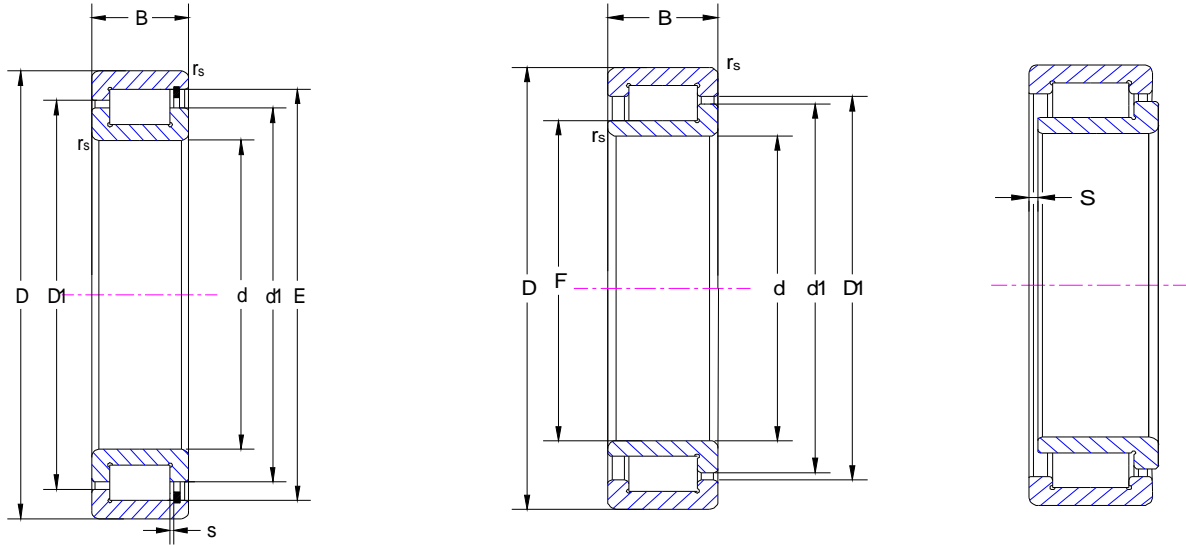
NCF design bearings have two integral flanges on the inner ring and one integral flange on the outer ring and can thus support axial loads acting in one direction and provide axial shaft location in one direction. A retaining ring at the flangeless side of the outer ring holds the bearing assembly together. The axial internal clearance in the bearing is provided in the product table and is designed to permit small axial displacements of the shaft in relation to the housing, e.g. as a result of thermal expansion of the shaft, to be accommodated in the bearing.

NJG design

NJG design bearings comprise the heavy dimension series 23 and are intended for very heavily

Loaded, slow speed applications. These bearings have two integral flanges on the outer ring and one integral flange on the inner ring and can thus support axial loads acting in one direction and provide axial shaft location in one direction. In contrast to the other full complement bearing designs, NJG design bearings have a self-retaining roller complement. The outer ring with its two integral flanges together with the roller complement can therefore be withdrawn from the inner ring, without having to take any precautions to prevent the rollers from falling out. This simplifies mounting and dismounting.





SL18 29、 SL18 30、 SL18 22

Shaft diameter r	Type	Mass kg	Size					Install dimension				Basic load ratings		Limiting speed $n_{l\text{ oil}} \approx$ min^{-1}
			d	D	B	r_s	s	F	d1	D1	E	dynamic C N	static Co N	
						min.								
80	SL18 2916	0.55	80	110	19	1	1	-	91	98	102	81 000	123 000	2 900
	SL18 3016*)	1.43	80	125	34	1.1	4	-	95	111	117	173 000	224 000	2 600
	SL18 2216	2.15	80	140	33	2	1.5	-	98.5	119	126	223 000	280 000	2 100
	SL19 2316*)	6.32	80	170	58	2.1	3.5	98.24	110	141.5	-	480 000	560 000	1 600
85	SL18 2917	0.81	85	120	22	1.1	1	-	96.5	104.5	109	102 000	155 000	2 700
	SL18 3017	1.51	85	130	34	1.1	4	-	99.5	115.5	121	178 000	235 000	2 500
	SL18 2217	2.74	85	150	36	2	1.5	-	104.5	125.5	133	255 000	320 000	2 000
	SL19 2317*)	7.34	85	180	60	3	4	107.01	118.5	150.5	-	510 000	620 000	1 500
90	SL18 2918*)	0.84	90	125	22	1.1	1	-	102	110	115	106 000	165 000	2 500
	SL18 3018*)	1.97	90	140	37	1.5	4	-	106	124	130	207 000	280 000	2 300
	SL18 2218	3.48	90	160	40	2	2.5	-	110.5	132.5	141	285 000	365 000	1 900
	SL19 2318*)	8.83	90	190	64	3	4	105.26	117.5	152	-	560 000	660 000	1 400
95	SL18 2919	0.86	95	130	22	1.1	1	-	106.5	116.5	122	114 000	172 000	2 400
	SL18 2219	4.17	95	170	43	2.1	2.5	-	122	146.5	155	335 000	430 000	1 700
	SL19 2319	10.2	95	200	67	3	4	114.66	127	161.5	-	580 000	720 000	1 350
100	SL18 2920*)	1.14	100	140	24	1.1	1.5	-	113.5	125	130	132 000	199 000	2 300
	SL18 3020*)	2.15	100	150	37	1.5	4	-	116	133.5	139	218 000	305 000	2 200
	SL 18 2220	5.13	100	180	46	2.1	2.5	-	128	153.5	163	390 000	520 000	1 600
	SL19 2320*)	13	100	215	73	3	4	119.3	133	172.5	-	710 000	860 000	1 300
110	SL18 2922*)	1.23	110	150	24	1.1	1.5	-	124	135.5	141	137 000	213 000	2 100
	SL18 3022	3.5	110	170	45	2	5.5	-	127.5	148.5	156	285 000	395 000	2 000
	SL18 2222	7.24	110	200	53	2.1	4	-	137.5	166.5	177	455 000	590 000	1 500
	SL19 2322*)	17	110	240	80	3	5	134.3	151.5	203.5	-	840 000	970 000	1 150

120	SL18 2924*)	1.73	120	165	27	1.1	1.5	-	135	148	154	176 000	285 000	1 900
	SL18 3024*)	3.8	120	180	46	2	5.5	-	139	160	167	300 000	435 000	1 800
	SL18 2224	9.08	120	215	58	2.1	4	-	151	181.5	192	530 000	730 000	1 400
	SL19 2324*)	22.3	120	260	86	3	5	147.4	164.5	216.5	-	990 000	1 220 000	1 050
130	SL18 2926*)	2.33	130	180	30	1.5	2	-	146	160.5	166	210 000	350 000	1 800
	SL18 3026	5.65	130	200	52	2	5.5	-	149	174.5	183	430 000	610 000	1 700
	SL18 2226	11.25	130	230	64	3	5	-	162.5	195.5	207	630 000	860 000	1 300
140	SL18 2928*)	2.42	140	190	30	1.5	2	-	157.5	173	179	228 000	375 000	1 600
	SL18 3028*)	6.04	140	210	53	2	5.5	-	163	188.5	197	455 000	670 000	1 500
	SL18 2228	14.47	140	250	68	3	5	-	174.5	209.5	221	720 000	1 020 000	1 200
150	SL18 2930*)	3.77	150	210	36	2	2.5	-	169.5	188.5	196	305 000	490 000	1 500
	SL18 3030	7.33	150	225	56	2.1	7	-	170.5	197.5	206	475 000	700 000	1 500
	SL18 2230	18.43	150	270	73	3	6	-	186	223.5	236	830 000	1 180 000	1 100
160	SL18 2932*)	4	160	220	36	2	2.5	-	180	199.5	207	320 000	520 000	1 400
	SL18 3032*)	8.8	160	240	60	2.1	7	-	185	214.5	224	540 000	810 000	1 400
	SL18 2232	23	160	290	80	3	6	-	209	251.5	266	1 020 000	1 460 000	1 000
170	SL18 2934*)	4.3	170	230	36	2	2.5	-	191	210.5	218	330 000	560 000	1 300
	SL18 3034	12.2	170	260	67	2.1	7	-	198.5	231.5	242	710 000	1 070 000	1 300
	SL18 2234	28.65	170	310	86	4	7	-	220.5	265.5	281	1 140 000	1 660 000	950
180	SL18 2936*)	6.2	180	250	42	2	2.5	-	201.5	223	231	410 000	690 000	1 300
	SL18 3036*)	16.1	180	280	74	2.1	7	-	212.5	248	260	820 000	1 260 000	1 200
	SL18 2236	29.8	180	320	86	4	7	-	233	277.5	293	1 180 000	1 760 000	900
190	SL18 2938*)	6.5	190	260	42	2	2.5	-	212	235	243	455 000	790 000	1 200
	SL18 3038	17	190	290	75	2.1	9	-	222	257.5	269	840 000	1 320 000	1 100
	SL18 2238	35.65	190	340	92	4	9	-	244	293.5	310	1 300 000	1 900 000	850
200	SL18 1840	2.57	200	250	24	1.5	2	-	216.5	231	237	178 000	320 000	1 200
	SL18 2940*)	9.1	200	280	48	2.1	3	-	226	251.5	261	550 000	940 000	1 100
	SL18 3040*)	21.8	200	310	82	2.1	9	-	237	274.5	287	960 000	1 530 000	1 100
	SL18 2240	43.12	200	360	98	4	9	-	247	300.5	318	1 420 000	2 040 000	850
220	SL18 1844	2.8	220	270	24	1.5	2	-	237	251.5	258	187 000	350 000	1 100
	SL18 2944*)	9.9	220	300	48	2.1	3	-	247	272.5	282	570 000	1 040 000	1 000
	SL18 3044*)	28.4	220	340	90	3	9	-	255	297.5	312	1 150 000	1 810 000	1 000
240	SL18 1848	4.4	240	300	28	2	3	-	259.5	275.3	282	212 000	405 000	1 000
	SL18 2948*)	10.6	240	320	48	2.1	3	-	268	293.5	303	600 000	1 130 000	950
	SL18 3048*)	30.9	240	360	92	3	11	-	278	320.5	335	1 210 000	1 990 000	900
260	SL18 1852	4.71	260	320	28	2	3	-	282	298	304	222 000	440 000	950
	SL18 2952*)	18.5	260	360	60	2.1	3.5	-	292	322	333	790 000	1 460 000	900
	SL18 3052*)	44.5	260	400	104	4	11	-	304.5	357.5	376	1 620 000	2 550 000	800
280	SL18 1856	7	280	350	33	2	3	-	304.5	324	332	305 000	600 000	850
	SL18 2956*)	19.7	280	380	60	2.1	3.5	-	314	346.5	358	920 000	1 740 000	800
	SL18 3056*)	48	280	420	106	4	11	-	320	373	391	1 660 000	2 700 000	800
300	SL18 1860	10	300	380	38	2.1	3.5	-	328.5	350	358	375 000	730 000	800
	SL18 2960*)	31.2	300	420	72	3	5	-	338.5	376	389	1 180 000	2 230 000	750
	SL18 3060*)	66.6	300	460	118	4	14	-	354	413	433	2 040 000	3 350 000	700

320	SL18 1864	10.6	320	400	38	2.1	4.5	-	346.5	368	377	385 000	780 000	750
	SL18 2964*)	32.9	320	440	72	3	5	-	359	396	410	1 220 000	2 360 000	700
	SL18 3064*)	71.7	320	480	121	4	14	-	370	429	449	2 090 000	3 500 000	650
340	SL18 1868	11.2	340	420	38	2.1	4.5	-	364.5	386.5	395	395 000	820 000	700
	SL18 2968*)	34.7	340	460	72	3	5	-	379.5	416.5	430	1 260 000	2 500 000	700
	SL18 3068	95.8	340	520	133	5	16	-	396.5	463	485	2 490 000	4 150 000	600
360	SL18 1872	11.7	360	440	38	2.1	4.5	-	388.5	410.5	419	410 000	870 000	650
	SL18 2972*)	36.4	360	480	72	3	5	-	400	437	450	1 290 000	2 650 000	650
	SL18 3072	101	360	540	134	5	16	-	414.5	480.5	503	2 550 000	4 350 000	550
380	SL18 1876	19.2	380	480	46	2.1	6	-	414.5	442.5	453	570 000	1 150 000	600
	SL18 2976*)	52.1	380	520	82	4	5	-	426	470.5	486	1 670 000	3 300 000	600
	SL18 3076	106	380	560	135	5	16	-	432	498.5	521	2 650 000	4 550 000	550
400	SL18 1880	20	400	500	46	2.1	6	-	437.5	465	476	590 000	1 220 000	600
	SL18 2980*)	54.3	400	540	82	4	5	-	450.5	495	511	1 720 000	3 500 000	550
	SL18 3080	140	400	600	148	5	18	-	463	534	558	3 100 000	5 500 000	500
420	SL18 1884	20.9	420	520	46	2.1	6	-	452.5	480.5	491	600 000	1 260 000	550
	SL18 2984	56.9	420	560	82	4	5	-	462.5	507	523	1 750 000	3 600 000	550
440	SL18 1888	21.8	440	540	46	2.1	6	-	475.5	503.5	514	610 000	1 320 000	550
	SL18 2988	78.1	440	600	95	4	7	-	490.5	543	562	2 130 000	4 200 000	500
460	SL18 1892	33.9	460	580	56	3	7	-	501.5	534	546	790 000	1 660 000	500
	SL18 2992	81.1	460	620	95	4	7	-	505	557.5	576	2 160 000	4 350 000	500
480	SL18 1896	35.2	480	600	56	3	7	-	519	552	564	800 000	1 720 000	500
	SL18 2996	94.7	480	650	100	5	7	-	538.5	594.5	614	2 430 000	4 900 000	480
500	SL18 18/500	36.5	500	620	56	3	7	-	546	578.5	591	820 000	1 810 000	480
	SL18 29/500	98.3	500	670	100	5	7	-	564.5	610	630	2 460 000	5 100 000	460
	SL18 28/500	48	500	620	72	3	2,4	-	541	582	594	1 340 000	3 350 000	380
	SL18 30/500	215	500	720	167	6	16	-	568	650	676.8	4 290 000	8 650 000	360
530	SL18 18/530	37.5	530	650	56	3	5	-	572	614	624.5	990 000	2 240 000	360
	SL18 28/530	49.5	530	650	72	3	5	-	572	614	624.5	1 400 000	3 450 000	360
	SL18 29/530	120	530	710	106	5	7	-	598	648	673	2 700 000	6 000 000	340
	SL18 30/530	300	530	780	185	6	16	-	610	702	732.3	5 230 000	10 600 000	320
560	SL18 18/560	40.5	560	680	56	3	5	-	603	645	655	1 020 000	2 360 000	340
	SL18 28/560	54	560	680	72	3	4,3	-	606	637	641.5	1 420 000	3 650 000	340
	SL18 29/560	140	560	750	112	5	7	-	628	682	709	3 030 000	6 700 000	320
	SL18 30/560	345	560	820	195	6	16	-	642	738	770	5 830 000	11 800 000	300
600	SL18 18/600	49.5	600	730	60	3	7	-	644	686	696	1 050 000	2 550 000	320
	SL18 28/600	67.5	600	730	78	3	5,4	-	642	685	696	1 570 000	4 300 000	320
	SL18 29/600	170	600	800	118	5	7	-	670	726	754	3 360 000	7 500 000	300
630	SL18 18/630	70	630	780	69	4	8	-	680	728	739	1 250 000	2 900 000	300
	SL18 28/630	92.5	630	780	88	4	8	-	680	728	739	1 870 000	5 000 000	300
	SL18 29/630	205	630	850	128	6	8	-	709	788	807	3 740 000	8 650 000	280
670	SL18 18/670	74	670	820	69	4	8	-	724	772	783	1 300 000	3 150 000	280
	SL18 28/670	97.5	670	820	88	4	8	-	724	772	783	1 940 000	5 300 000	280
	SL18 29/670	245	670	900	136	6	10	-	748	827	846	3 800 000	8 650 000	260

710	SL18 18/710	90	710	870	74	4	8	-	766	818	831	1 540 000	3 750 000	260
	SL18 28/710	115	710	870	95	4	8	-	766	818	831	2 330 000	6 300 000	260
	SL18 29/710	275	710	950	140	6	10	-	790	876	896	3 910 000	9 150 000	240
750	SL18 18/750	110	750	920	78	5	8	-	810	867	880	1 760 000	4 300 000	240
	SL18 28/750	140	750	920	100	5	8	-	810	867	880	2 510 000	6 800 000	240
	SL18 29/750	315	750	1000	145	6	11	-	832	918	938	4 460 000	10 600 000	220
800	SL18 18/800	130	800	980	82	5	9	-	863	922	936	1 940 000	4 800 000	220
	SL18 28/800	165	800	980	106	5	10	-	863	922	936	2 750 000	7 500 000	220
	SL18 29/800	360	800	1060	150	6	11	-	891	981	1002	4 950 000	12 200 000	200
850	SL18 18/850	135	850	1030	82	5	9	-	911	972	986	2 050 000	5 200 000	200
	SL18 28/850	175	850	1 030	106	5	10	-	911	972	986	2 860 000	8 000 000	200
	SL18 29/850	105	850	1120	155	6	13	-	943	1039	1061	5 280 000	12 900 000	190
900	SL18 18/900	160	900	1090	85	5	9	-	966	1029	1044	2 240 000	5 700 000	190
	SL18 28/900	208	900	1090	112	5	10	-	966	1029	1044	3 190 000	9 150 000	190
	SL18 29/900	472	900	1180	165	6	13	-	996	1096	1120	5 940 000	14 600 000	170
950	SL18 18/950	185	950	1150	90	5	10	-	1021	1087	1103	2 420 000	6 300 000	170
	SL18 28/950	240	950	1150	118	5	12	-	1021	1087	1103	3 410 000	9 800 000	170
	SL18 29/950	565	950	1250	175	7.5	14	-	1048	1154	1179	6 660 000	16 300 000	160
1 000	SL18 18/1000	230	1000	1220	100	6	12	-	1073	1148	1165	2 920 000	7 500 000	160
	SL18 28/1000	310	1000	1220	128	6	12	-	1073	1148	1165	4 130 000	11 600 000	160
	SL18 29/1000	680	1000	1320	185	6	14	-	1113	1226	1252	7 480 000	18 600 000	150
1120	SL18 18/1120	298	1120	1360	106	6	12	-	1206	1290	1310	3 710 000	9 650 000	130