



双向双列推力圆锥滚子轴承

Double-Row Tapered Roller Thrust Bearing With Double-Direction

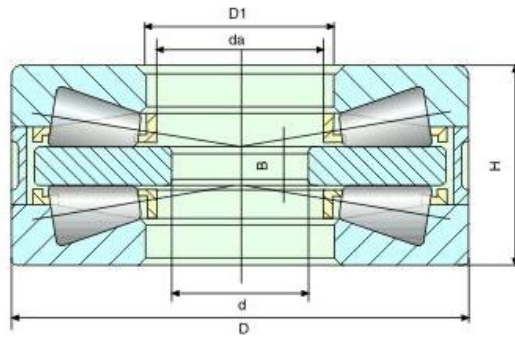
双向双列推力圆锥滚子轴承

该类型轴承与其他类型轴向定位轴承(单、双角接触球轴承，双列大锥角滚子轴承等)相比，在同等轴径，承受同等轴向负荷的情况下，轴承宽度最窄，轴承外径最小。

Double Row Taper Roller Thrust Bearings With Double Direction

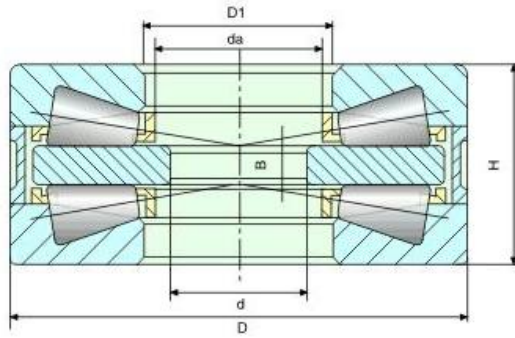
This type of bearing's height is the lowest and its outside diameter is the shortest with the same axis diameter and axial load than the other locating bearings in axial direction such as single row and double row angular contact ball bearing, double row taper roller bearing with big taper angle.

双向双列推力圆锥滚子轴承



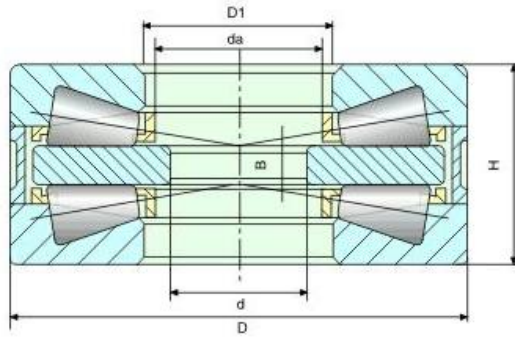
轴承型号 Bearing Designations	主要尺寸 Principal Dimensions (mm)							国外型号 Foreign Designations	
	d	da	D	D1	B	H	rmin	SKF	FAG
829232	160	186	300	190	34	110			
829234	170	182	240	184	20	84	2	350980C	528974
829736	180	192	280	196	20	90	2	353162	528294
829244	220	231	300	236	22	96	2	351019C	528876
829746	230	254	400	260	42	180	5		530852
829748	240	251	320	256	22	96	2	351182C	529076
829950	250	265	380	275	22	100	2	353005	52010
829252	260	276	360	285	20	92	2	350981C	509352
829954	270	300	450	310	45	180	5	351164C	527907
829260	300	324	420	330	23	100	1.5		524740
829264	320	349	440	355	26	108	3	353102	528562
829764	320	340	470	350	30	130	3	350982C	509654
829970	350	380	490	390	30	130	3	351100C	530739
829970K	350	384	540	400	30	135	4	353006	522008
829272	360	382	560	396	48	200	2		524194
829776	380	416	560	430	32	130	3	350075C	513125
829276	380	398	530	410	30	130	2		513828
829976	380	446	650	450	65	215	4	BFDB353204	545936
829780	400	436	650	450	50	200	2		540162
829784	420	455	620	465	35	170	3	351121C	509392
829784K	420	455	620	465	50	185	3	BFDB353200/HA3	545991
829788	440	480	645	490	50	167	4	35315	534038
82990	450	480	645	490	38	155	4	350916D	513401
829994	470	515	720	535	50	200	SP	3531512	
829794	470	515	720	535	60	210	2		549701

双向双列推力圆锥滚子轴承



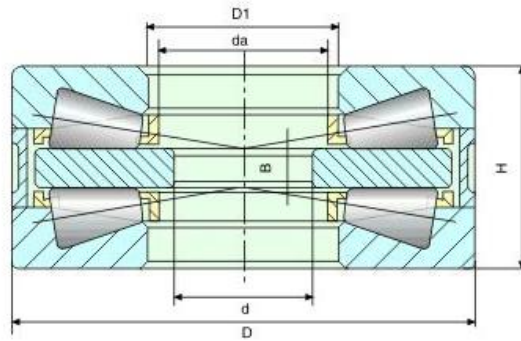
轴径 Axis Diameter	轴承型号 Bearing Designations	主要尺寸 Principal Dimensions (mm)					
		d	D	H	da	D ₁	B
350	826970	350	490	130	380	390	30
	829970K	350	540	135	384	400	30
360	829272	360	560	200	382	396	48
380	829276	380	530	130	398	410	30
	829776	380	560	130	416	430	32
	829976	380	650	215	446	450	65
400	829780	400	650	200	436	450	50
420	829784	420	620	170	455	465(47)	35
	829784K	420	620	185	455	465(47)	50
440	829788	440	645	167	480	490(500)	50
450	829990	450	645	155	480	490(500)	38
470	829994	470	720	200	515	535	50
	809794	470	720	210	515	535	60
480	829796	480	710	218	560	575	57

双向双列推力圆锥滚子轴承



轴径 Axis Diameter	主要尺寸 Principal Dimensions (mm)		额定负荷 Rated Loads (kN)		质量 Mass (≈ kg)	国外型号 Foreign Designations	
	r1min	r2min	动负荷 Dynamic Cr	静负荷 Static Cor		SKF	FAG
350	1.1	3.5	1200	5300	73.5	351100C	530739
	1.1	4.0	1750	9200	112	353006	522008
360	1.5	4.0	2400	12500	180		524194
						351175C	
380	1.1	3.5	1800	10000		BFDB353204	513828
	1.5	4.0	1800	10000	108		513125
	2.1	5.0	3400	17200			545936
400	1.5	5.0	2700	13800			540162
420	1.5	4.0	2420	12200		351121C	509392*
	3.0	4.0	2420	12200		BFDB353200/HA3	545991*
440	3.0	4.0	1980	10800		353151	534038*
450	1.5	4.0	1980	10800		350916D	513401*
470	3.0	4.5	3450	18000		353151	
	3.0	4.5	3450	18000		NFDN353238/HA3	549701
480	3.0	4.5	2900	13000			547584

双向双列推力圆锥滚子轴承



轴径 Axis Diameter	轴承型号 Bearing Designations	主要尺寸 Principal Dimensions (mm)					
		d	D	H	da	D ₁	B
530	8292/530	530	710	218	560	575	57
550	8297/550	550	760	230	585	610	50
600	8297/600	600	880	290	670	680	70
670	8292/670	670	900	230	705	725	50

轴径 Axis Diameter	主要尺寸 Principal Dimensions (mm)		额定负荷 Rated Loads (kN)		质量 Mass (≈kg)	国外型号 Foreign Designations	
	r _{1min}	r _{2min}	动负荷 Dynamic C _r	静负荷 Static C _{0r}		SKF	FAG
530	3.0	4.5	2300	14000		351475C	511746
550	3.0	4.5	2950	13500		350976C	515196
600	4.0	5.0	4750	21500		BFSB350824B/HA1	
670	4.0	5.0	3600	19500		351761A	